



NAVALTAGUS
REPARAÇÃO E CONSTRUÇÃO NAVAL, S.A.

NAVALTAGUS



Electric Ferry Boat | MODEL "EFB 3709"

PROJECT MAIN FEATURES

DIMENSIONS

Length Overall	37.4 m
Beam	9.2 m
Hull Draft	1.7 m
Vehicle deck clear heights	2.7 m

CAPACITIES

Passengers	252
Vehicles	19

PERFORMANCE

Speed	9 knots
-------	---------

PROPULSION

Main propulsion	VETH VL-200si Azimuth Thrusters
Power (nominal)	2 x 200kW

ENERGY SYSTEM

Power Management	Danfoss
Batteries	511 kW Shift Batteries

REGULATIONS

Statutory Rules	Portuguese flag ESTRIN/2021
Class Notation	Bureau Veritas I ✘ HULL • MC 5 IN (0.6) Z Battery System Passenger Vessel Ferry

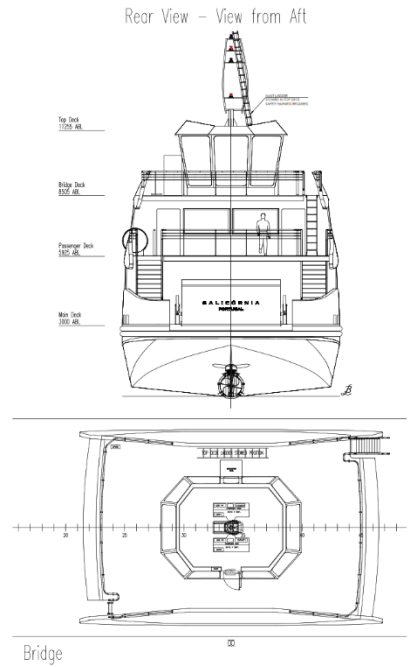
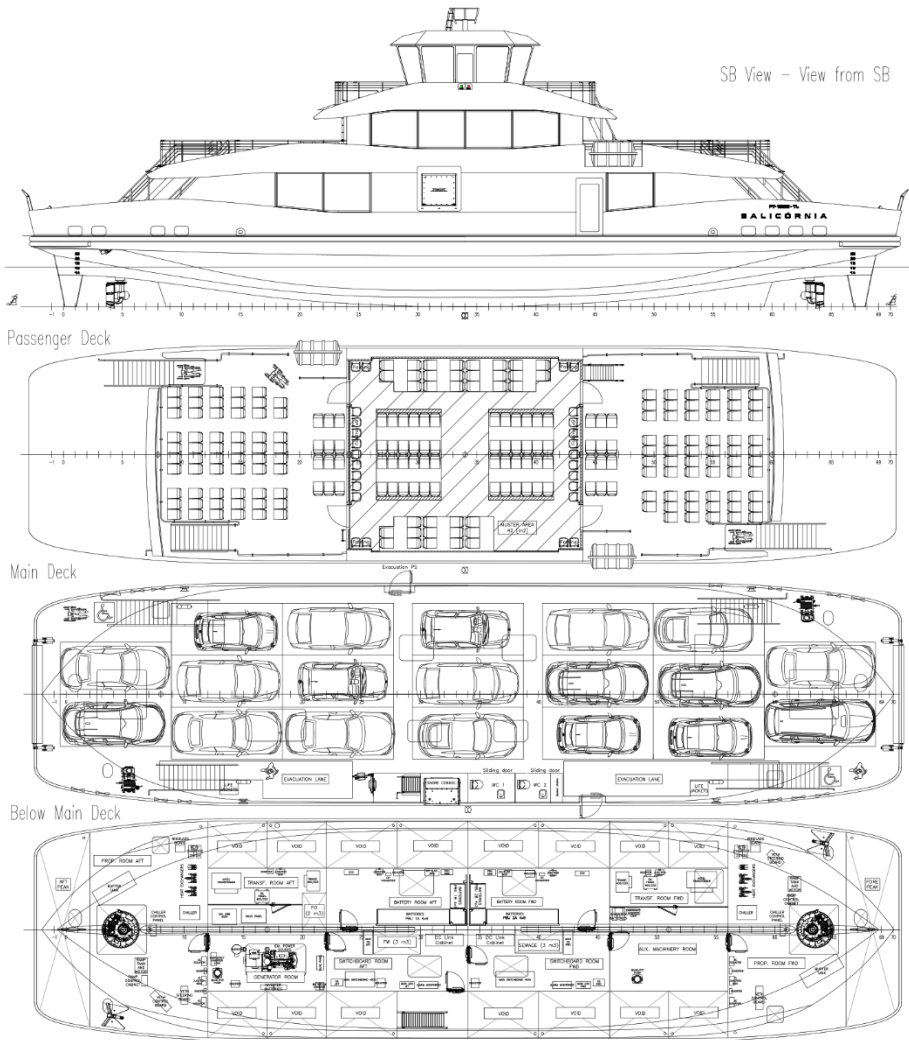


CONTACTS

Contact us to find out more about our services and solutions.

T + 351 21 112 85 12 | navaltagus@navaltagus.pt | www.ete.pt





CONTACTS

Contact us to find out more about our services and solutions.

T + 351 21 112 85 12 | navaltagus@navaltagus.pt | www.ete.pt